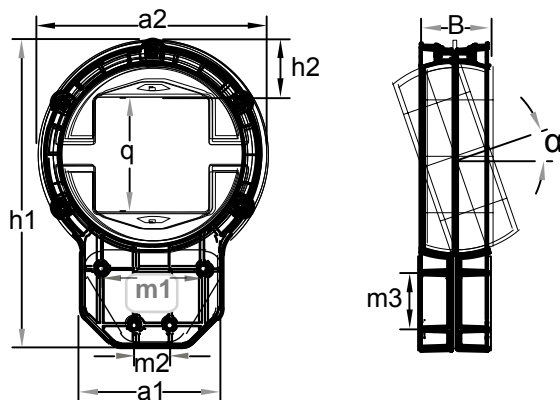
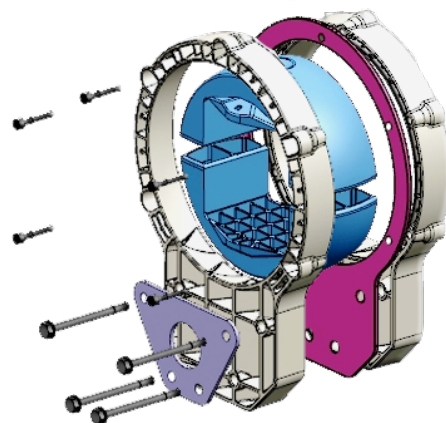


Flange housed bearing with spherical-split balls



Material:

Housing /
Spherical ball: **Aklamid N-30GFS10**

- Square Profile 120 x 120 mm
- Split housing and split spherical balls
- Easy assembly and disassembly
- High mechanical strength at extreme temperatures
- Extra robust structure with steel inter-flange
- High misalignment tolerance
- Installation without mounting bracket
- High flexibility with large pivot angle $\alpha=19^\circ$

Dimensions [mm]

Model No.	q +1	h1	h2	a1	a2	m1	m2	m3	B	Weight [g]
NBSQ-120	120.2	328	62.5	151	245	109.5	36.5	60	75	2,450

Technical data

Model No.	Max. radial force		Max. axial force		Max. operation temp.	
	short-term	long-term	short-term	long-term	minimum	maximum
	[kN]	[kN]	[kN]	[kN]	[°C]	[°C]
NBS-120	50	7.5	10	3	-40	120